

Locks



Locks

OUTLETS NATIONWIDE

500

Locks

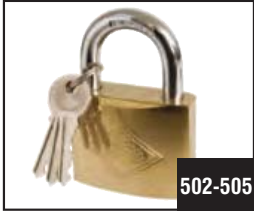
Now it's easy to find just the right padlock for any security application.

Choose from a wide selection of padlocks suitable for medium to high quality insurance quality and suitable

for indoor and outdoor use.

For doors around the home we offer a complete range of matched mortice locks, lock sets and handles plus a selection of miscellaneous locks and

accessories suitable for hundreds of uses around the home.



502-505

Padlocks



505

Padlock Accessories



506-510

Mortice Locks



511-513

Door Handles & Knobs



513-514

Entrance Locks



514-515

Night Latches



515

Security Locks



515-517

Miscellaneous Locks & Accessories



517

Lock Blockers & Keys



IRON PADLOCKS

- A standard grade padlock iron construction
- Chromium plated shackle
- Suitable for indoor application or where there is little moisture

Code	Size
HON4990	20mm
HON4992	25mm
HON4994	32mm
HON4996	38mm
HON4998	50mm
HON5000	63mm



IRON PADLOCKS

- A premium grade brass padlock
- Hardened shackle
- Chromium plated shackle
- Double shackle latches
- Solid Brass cylinder plug with rim and anti-picking device
- With 3 keys
- Suitable for outdoor applications where resistance to the elements is important

Code	Size	Code	Size
TRC0005	20mm	TRC0020	38mm
TRC0010	25mm	TRC0025	50mm
TRC0015	32mm	TRC0030	63mm



BRASS PADLOCKS

- A premium grade padlock of solid brass construction
- Chromium plated shackle
- Suitable for outdoor applications where resistance to the elements is important

Code	Size
HON5005	20mm
HON5007	25mm
HON5009	32mm
HON5011	38mm
HON5013	50mm
HON5015	63mm



BRASS PADLOCKS

- A premium grade brass padlock
- Hardened shackle
- Chromium plated shackle
- Double shackle latches
- Solid Brass cylinder plug with rim and anti-picking device
- With 3 keys
- Suitable for outdoor applications where resistance to the elements is important

Code	Size	Code	Size
TRC0035	20mm	TRC0050	38mm
TRC0040	25mm	TRC0055	50mm
TRC0045	32mm	TRC0060	63mm



BRASS PADLOCKS

- Diamond shape solid brass
- Are available in an extensive range of sizes depending on the application
- From small stylish luggage locks, up to 70mm for heavy duty applications
- The larger sizes are ideal for securing gates, workshops and sheds
- 2 keys per lock

Code	Size	Ref	Code	Size	Ref
MAS1200	20mm	MA205326	MAS1600	50mm	MA205344
MAS1280	30mm	MA205329	MAS1750	60mm	MA205346
MAS1400	40mm	MA205335	MAS1800	70mm	MA205347



BRASS PADLOCKS KEYED ALIKE

- A premium grade brass padlock
- Hardened shackle
- Chromium plated shackle
- Double shackle latches
- Solid Brass cylinder plug with rim and anti-picking device
- Suitable for outdoor applications where resistance to the elements is important

Code	Size
TRC0145	32mm
TRC0150	38mm
TRC0155	50mm



BRASS PADLOCKS KEYED ALIKE

- Diamond shape solid brass
- They are available in an extensive range of sizes depending on the application
- The larger sizes are ideal for securing gates, workshops and sheds
- One key opens all padlocks in the set



Code	Ref	Size	Packs
MAS1190	MA205768	15mm	3 locks
MAS1240	MA208003	20mm	4 locks
MAS1310	MA205744	30mm	2 locks
MAS1320	MA205772	30mm	4 locks
MAS1460	MA205342	40mm	2 locks
MAS1470	MA207768	40mm	4 locks
MAS1480	MA400020	40mm	6 locks
MAS1640	MA400052	50mm	2 locks
MAS1660	MA400053	50mm	4 locks

Master Lock BRASS PADLOCKS LONG SHACKLE

- Diamond shape solid brass
- Standard body with a longer shackle height
- Larger sizes are ideal for securing gates, workshops and sheds
- 2 keys per lock
- **MAS1680** - Removable and adjustable hardened steel shackle, adjusts from 70mm to 155mm



Code	Ref	Size	Shackle Clearance
MAS1510	MA203541	40mm	38mm
MAS1680	MA300039	50mm	70mm-155mm
MAS1685	MA205345	50mm	64mm

TRI-CIRCLE BRASS PADLOCKS LONG SHACKLE

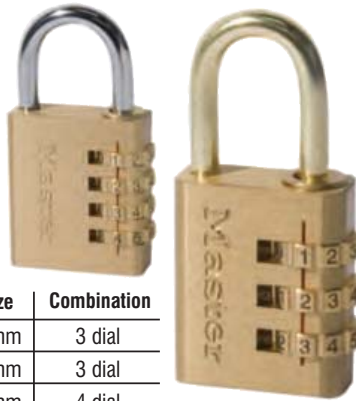
- A premium grade brass padlock
- Hardened shackle
- Chromium plated shackle
- Double shackle latches
- Solid Brass cylinder plug with rim and anti-picking device
- With 3 keys
- Suitable for outdoor applications where resistance to the elements is important



Code	Size
TRC0090	32mm
TRC0095	38mm
TRC0100	50mm

Master Lock BRASS COMBINATION PADLOCKS

- Solid brass body for strength and weather-ability
- Set your own combination
- Resettable to allow for a personalized combination



Code	Ref	Size	Combination
MAS1230	MA207771	20mm	3 dial
MAS1290	MA207772	30mm	3 dial
MAS1430	MA300060	40mm	4 dial

MTS QUALITY TOOLS BRASS INSURANCE PADLOCKS

- Top quality solid brass padlock with superior security rating
- Extremely difficult to cut or break
- Ideal for outdoor use and high protection



Code	Size
HON5018	65mm

Master Lock BRASS INSURANCE PADLOCKS

- Solid brass body, with horizontal hardened steel shackle
- Horizontal security locking makes the shackle difficult to attack
- 2 keys per lock



Code	Ref	Size
MAS1090	MA205349	76mm
MAS1080	MA205766	85mm

MTS QUALITY TOOLS STAINLESS STEEL INSURANCE PADLOCKS

- Top quality solid brass padlock with superior security rating
- Extremely difficult to cut or break
- Ideal for outdoor use and high protection



Code	Size
HON5020	70mm
HON5080	80mm

Master Lock STAINLESS STEEL SPIN DIAL COMBINATION PADLOCK

- Double-armored stainless steel body
- Hardened steel shackle for extra cut resistance
- 3 digit dialing



Code	Ref	Size
MAS1530	MA205386	48mm

MTS QUALITY TOOLS DISCUS PADLOCK

- Rust proof, stainless steel construction
- Resists attack from bolt cutters and saws due to its shape
- Ideal for outdoor use and higher protection



Code	Size
MTS3588	70mm

RACO PADLOCK - HIGH SECURITY - DISCUS
RH5/218B

- A strong security lock manufactured to withstand hard use for indoors or outdoors and provides dependable protection
- Tough, corrosion resistant stainless steel outer case with brass cylinder and high security pin tumbler locking mechanism
- Rugged steel shackle, is case hardened for resistance to cutting and sawing
- Chrome plated
- Complete with 2 precision cut nickel plated brass keys



Code	Size
RIC2300	70mm

Master Lock DISCUS PADLOCK

- Shielded lock design minimizes shackle exposure, making it less vulnerable to cutting and sawing
- Hardened double locking shackle
- Stainless steel body resists corrosion
- Special order keyed-alike available
- 2 keys per lock



Code	Ref	Size
MAS1830	MA205394	70mm

Master Lock DISCUS PADLOCK - HIGH SECURITY
EXCELL

- Stainless steel body
- Octagonal boron-carbide shrouded shackles 50% stronger
- 4 keys per lock



Code	Ref	Size
MAS2150	MA450020	70mm

Master Lock HIGH SECURITY LAMINATED STEEL
EXCELL PADLOCKS

- Laminated steel case, with stainless steel and zinc cover
- Octagonal boron-carbide shackles 50% stronger
- Dual ball bearing locking 50% more pull strength
- 4 keys per lock



Code	Ref	Size	Clearance
MAS2100	MA450000	45mm	38mm
MAS2110	MA450004	50mm	24mm

Master Lock HIGH SECURITY LAMINATED
EXCELL WEATHERPROOF PADLOCKS

- Laminated steel case, with thermoplastic weather proof cover
- Octagonal boron-carbide shackles 50% stronger
- Dual ball bearing locking 50% more pull strength 4 keys per lock



Code	Ref	Size	Clearance
MAS2140	MA450015	50mm	38mm
MAS2160	MA450017	64mm	51mm

Master Lock HIGH SECURITY LAMINATED STEEL
EXCELL KEYED-ALIKE PADLOCK PACKS

- Laminated steel case, with stainless steel and zinc cover
- Octagonal boron-carbide shackles 50% stronger
- Dual ball bearing locking 50% more pull strength
- One key opens all padlocks in the set



Code	Ref	Size	Pack
MAS2120	MA450002	45mm	3 locks

Master Lock LAMINATED STEEL PADLOCK
EXCELL

- Wide laminated steel body for superior strength with hardened steel shackle
- Dual locking levers for extra pry resistance
- Hardened bottom plate for drill resistance



Code	Ref	Size
MAS1490	MA205294	44mm

Master Lock HIGH SECURITY COMBINATION
EXCELL PADLOCK

- Chrome-plated zinc die-cast body for corrosion resistance
- Octagonal boron-carbide shackle 50% stronger
- Covered dials for superior weather protection

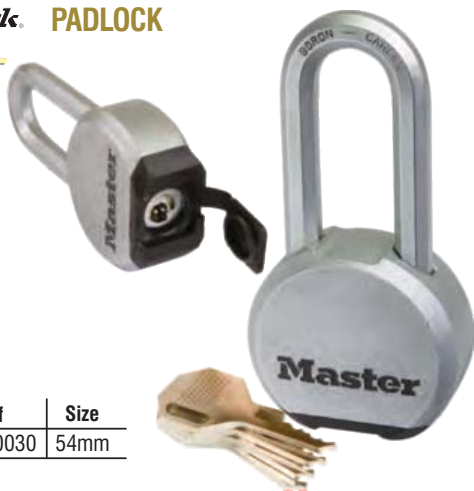


Code	Ref	Size	Description
MAS2125	MA450035	50mm	Die cast 4 dial

Master Lock EXCELL

HIGH SECURITY SOLID STEEL PADLOCK

- Chrome-plated solid steel body for corrosion resistance
- Octagonal boron-carbide shackles 50% stronger
- Dual ball bearing locking 50% more pull strength
4 keys per lock



Code	Ref	Size
MAS2130	MA450030	54mm

Master Lock EXCELL

HIGH SECURITY BRASS FINISH PADLOCKS

- Laminated steel case, and zinc cover with brass finish
- Octagonal boron-carbide shackles 50% stronger
- Dual ball bearing locking 50% more pull strength
- 4 keys per lock



Code	Ref	Size	Clearance
MAS2165	MA455000	45mm	20mm
MAS2170	MA455002	45mm	38mm
MAS2175	MA455003	50mm	24mm
MAS2180	MA455008	64mm	38mm

Master Lock CABLE COMBINATION LOCK

- Combination resettable
- Braided steel wires for strength and flexibility
- Galvanized steel cable resists cutting
- Vinyl coating helps prevent rusting



Code	Ref	Size
MAS1020	MA300034	1.5m x 10mm

Master Lock CABLE LOCK

- Self coiling steel cable
- Vinyl coating helps prevent rusting
- Assorted colours



Code	Ref	Size
MAS1000	MA300019	1.8m x 8mm

Master Lock CABLE ONLY

- Braided steel wires for strength and flexibility
- Convenient loops with rust-resistant sleeves and scratch guards
- Galvanized steel cable resists cutting
- Vinyl coating helps prevent rusting



Code	Ref	Size
MAS1050	MA300031	1.8m x 10mm

Master Lock HIGH SECURITY CHAINS

- Hardened steel, square link
- Vinyl protective cover
- 5 Times stronger



Code	Ref	Size
MAS2185	MA823050	1.5m x 6mm
MAS2190	MA823080	1m x 8mm

Master Lock LOCKOUT HASPS - STEEL

- Lockout multiple workers at each point
- Steel jaw with vinyl coated handle



Code	Ref	Size
MAS1094	MA205396	25mm
MAS1096	MA205397	38mm

MALXIE REBATE KITS

- Manufactured from Zinc/Steel
- For standard Mortice lock
- Door closer for hollow core doors



Code	Descr
MAK30627	Brass Plated
MAK30634	Chrome Plated



MORTICE DOOR LOCKS & HANDLES

- Professional door lock with furniture
- Solid brass latch and bolt
- Pressed heavy duty stainless steel handles
- 3 keys
- Complete with all fixing screws



Code	Rating	Finish
MAS6050	2 Lever	S/Steel
MAS6060	3 Lever	S/Steel
MAS6070	4 Lever	S/Steel



MORTICE DOOR LOCKS & HANDLES

- Professional door lock with furniture
- Solid brass latch and bolt
- Die cast heavy duty handles
- 3 keys
- Complete with all fixing screws



Code	Rating	Finish
MAS6000	2 Lever	C.P.
MAS6020	3 Lever	C.P.



MORTICE LOCKSETS WITH LIGHT DUTY PRESSED PLATE HANDLE - PRO SERIES

- Pro-Series Mortice Locksets including Pressed Plate Handles are designed and produced to meet the SABS Standards and carry the SABS Certification Mark (On the Lock Insert Only)
- Offer an affordable alternative for Low Cost housing projects, where it is stipulated that only the lock need bare the SABS Mark
- They are supplied in Chrome Plated finish. The locks come in 2, 3, and 4 Lever variants which are supplied with 2 keys each, which match the Local Y, CD series



Code	Size	Description	Finish For Handle
MAK17208	76mm	2 Lever	Chrome Plated
MAK05717	76mm	3 Lever	Chrome Plated
MAK06844	76mm	4 Lever	Chrome Plated



MORTICE LOCKSETS WITH LIGHT DUTY PRESSED PLATE HANDLE - PRO SERIES

- Pro-Series Mortice Locksets including Pressed Plate Handles are designed and produced to meet the SABS Standards and carry the SABS Certification Mark (On the Lock Insert Only)
- Offer an affordable alternative for Low Cost housing projects, where it is stipulated that only the lock need bare the SABS Mark
- They are supplied in Brass Plated finish. The locks come in 2, 3, and 4 Lever variants which are supplied with 2 keys each, which match the Local Y, CD series
- Forend Brass plated



Code	Size	Description	Finish For Handle
MAK19820	76mm	2 Lever	Brass Plated
MAK19707	76mm	3 Lever	Brass Plated



MORTICE LOCKSETS - EXTRA HEAVY DUTY DIE CAST HANDLES - COMMERCIAL

- Commercial Mortice Locksets including Extra Heavy Duty Handles are designed and produced to meet the SABS Standards and carry the SABS Certification Mark
- Offer a loose forend which allows the installer to install the locks prior to the finishing of the doors and to return simply to put on the forend offering a professional paint free installation
- Supplied with 3 keys, which match the Local Y, CD series
- Forend Stainless steel



Code	Size	Description	Finish For Handle
MAK19790	76mm	2 Lever	Chrome Plated
MAK19806	76mm	3 Lever	Chrome Plated
MAK19813	76mm	4 Lever	Chrome Plated



MORTICE LOCKSETS - EXTRA HEAVY DUTY DIE CAST HANDLES - COMMERCIAL

- Commercial Mortice Locksets including Extra Heavy Duty Handles are designed and produced to meet the SABS Standards and carry the SABS Certification Mark
- Offer a loose forend which allows the installer to install the locks prior to the finishing of the doors and to return simply to put on the forend offering a professional paint free installation
- Supplied with 3 keys, which match the Local Y, CD series
- Forend Stainless steel



Code	Size	Description	Finish For Handle
MAK17321	76mm	2 Lever	Satin Chrome
MAK17338	76mm	3 Lever	Satin Chrome



MORTICE LOCKSETS - WITH EXTRA HEAVY DUTY ALUMINIUM HANDLES - COMMERCIAL

- Commercial Mortice Locksets including Extra Heavy Duty Handles are designed and produced to meet the SABS Standards and carry the SABS Certification Mark
- Offer a lose forend which allows the installer to install the locks prior to the finishing of the doors and to return simply to put on the forend thus offering a professional paint free installation
- Supplied with 3 keys, which match the Local Y, CD series
- Forend Stainless steel



Code	Size	Description	Finish For Handle
MAK18953	76mm	3 Lever	Satin Anodised



CYLINDER MORTICE LOCKSET - PROFILE WITH HEAVY DUTY ALUMINIUM HANDLES

- Handle heavy duty aluminium



Code	Forend Finish	Body Finish	Handle Finish
MAK19875	Chrome Plated	Galvanised	Anodised



CYLINDER MORTICE LOCKSET - PROFILE WITH PRESSED PLATE HANDLES

- Handle light duty steel pressed



Code	Forend Finish	Body Finish	Handle Finish
MAK19868	Chrome Plated	Galvanised	Chrome Plated



CYLINDER MORTICE LOCKSET - PROFILE WITH PRESSED PLATE HANDLES

- Handle light duty steel pressed



Code	Forend Finish	Body Finish	Handle Finish
MAK19851	Polished Brass	Galvanised	Brass Plated



CLASSIC STRAIGHT HANDLE & PREMIUM MORTICE LOCK COMBO SETS

- Satin Chrome Handle Combo sets are a combination of the SABS Approved Premium Mortice Lock sets and their High Quality Satin Chrome Straight Handles



Code	Description	Type	Handle Finish
MAK19981	Victorian Straight Plate	2 Lever	Satin Chrome
MAK19998	Victorian Straight Plate	3 Lever	Satin Chrome



CLASSIC BRASS STRAIGHT HANDLE & PREMIUM MORTICE LOCK COMBO SETS

- Brass Handle Combo sets are a combination of the SABS Approved Premium Mortice Lock sets and their High Quality Brass Straight Handles



Code	Description	Type	Handle Finish
MAK13927	Victorian Straight Plate	Profile Cylinder	Solid Brass

Locks



CLASSIC BRASS STRAIGHT HANDLE & PREMIUM MORTICE LOCK COMBO SETS

- Brass Handle Combo sets are a combination of the SABS Approved Premium Mortice Lock sets and their High Quality Brass Straight Handles



Code	Description	Type	Handle Finish
MAK13897	Victorian Straight Plate	2 Lever	Solid Brass



CLASSIC SCROLL HANDLE & PREMIUM MORTICE LOCK COMBO SETS

- Satin Chrome Handle Combo sets are a combination of the SABS Approved Premium Mortice Lock sets and their High Quality Satin Chrome Scroll Handles



Code	Description	Type	Handle Finish
MAK20017	Victorian Straight Plate	Profile Cylinder	Satin Chrome



CLASSIC BRASS SCROLL HANDLE & PREMIUM MORTICE LOCK COMBO SETS

- Brass Handle Combo sets are a combination of the SABS Approved Premium Mortice Lock sets and their High Quality Brass Scroll Handles



Code	Description	Type	Handle Finish
MAK13859	Victorian Straight Plate	2 Lever	Solid Brass
MAK13866	Victorian Straight Plate	3 Lever	Solid Brass



CLASSIC BRASS SCROLL HANDLE & PREMIUM MORTICE LOCK COMBO SETS

- Brass Handle Combo sets are a combination of the SABS Approved Premium Mortice Lock sets and their High Quality Brass Scroll Handles



Code	Description	Type	Handle Finish
MAK13880	Victorian Straight Plate	Profile Cylinder	Solid Brass



CLASSIC SCROLL HANDLE & PREMIUM MORTICE LOCK COMBO SETS

- Satin Chrome Handle Combo sets are a combination of the SABS Approved Premium Mortice Lock sets and their High Quality Satin Chrome Scroll Handles



Code	Description	Type	Handle Finish
MAK19943	Victorian Straight Plate	2 Lever	Satin Chrome
MAK19950	Victorian Straight Plate	3 Lever	Satin Chrome



CLASSIC BRASS HANDLE & MORTICE LOCK COMBO SETS

- Brass Handle Combo sets are a combination of the SABS Approved Premium Mortice Lock sets and their High Quality Brass Scroll Handles



Code	Description	Type	Handle Finish
MAK19318	Georgian Straight Plate	2 Lever	Solid Brass
MAK19325	Georgian Straight Plate	3 Lever	Solid Brass



CLASSIC BRASS HANDLE & MORTICE LOCK COMBO SETS

- Brass Handle Combo sets are a combination of the SABS Approved Premium Mortice Lock sets and their High Quality Brass Scroll Handles



Code	Description	Type	Handle Finish
MAK19349	Georgian Straight Plate	Profile Cylinder	Solid Brass



CLASSIC SCROLL HANDLE & PREMIUM MORTICE LOCK COMBO SETS

- Satin Chrome Handle Combo sets are a combination of the SABS Approved Premium Mortice Lock sets and their High Quality Satin Chrome Scroll Handles



Code	Description	Type	Handle Finish
MAK19974	Georgian Straight Plate	Profile Cylinder	Satin Chrome



CLASSIC BRASS SCROLL HANDLE & PREMIUM MORTICE LOCK COMBO SETS

- Brass Handle Combo sets are a combination of the SABS Approved Premium Mortice Lock sets and their High Quality Brass Scroll Handles



Code	Description	Type	Handle Finish
MAK13811	Victorian Gable Plate	2 Lever	Solid Brass
MAK13828	Victorian Gable Plate	3 Lever	Solid Brass



CLASSIC BRASS SCROLL HANDLE & PREMIUM MORTICE LOCK COMBO SETS

- Brass Handle Combo sets are a combination of the SABS Approved Premium Mortice Lock sets and their High Quality Brass Scroll Handles



Code	Description	Type	Handle Finish
MAK13842	Victorian Gable Plate	Profile Cylinder	Solid Brass



CLASSIC SCROLL HANDLE & PREMIUM MORTICE LOCK COMBO SETS

- Satin Chrome Handle Combo sets are a combination of the SABS Approved Premium Mortice Lock sets and their High Quality Satin Chrome Scroll Handles



Code	Description	Type	Handle Finish
MAK19677	Victorian Gable Plate	3 Lever	Satin Chrome



CLASSIC SCROLL HANDLE & PREMIUM MORTICE LOCK COMBO SETS

- Satin Chrome Handle Combo sets are a combination of the SABS Approved Premium Mortice Lock sets and their High Quality Satin Chrome Scroll Handles



Code	Description	Type	Handle Finish
MAK19691	Victorian Gable Plate	Profile Cylinder	Satin Chrome

Locks



CLASSIC BRASS SCROLL HANDLE & PREMIUM MORTICE LOCK COMBO SETS

- Brass Handle Combo sets are a combination of the SABS Approved Premium Mortice Lock sets and their High Quality Brass Scroll Handles



Code	Description	Type	Handle Finish
MAK13941	Georgian Gable Plate	3 Lever	Brass Plated



CLASSIC BRASS SCROLL HANDLE & PREMIUM MORTICE LOCK COMBO SETS

- Brass Handle Combo sets are a combination of the SABS Approved Premium Mortice Lock sets and their High Quality Brass Scroll Handles



Code	Description	Type	Handle Finish
MAK13965	Georgian Gable Plate	Profile Cylinder	Brass Plated



MORTICE LOCK ONLY INSERTS - PREMIUM (SABS)

- Designed and produced to meet the SABS Standards and carry the SABS Certification Mark
- Offer a lose forend which allows the installer to install the locks prior to the finishing of the doors and to return simply to put on the forend thus offering a professional paint free installation
- Supplied with 3 keys which match the Local Y, CD series



Code	Size	Description	Body Finish
MAK13972	76mm	2 Lever	Brass Plated Forend
MAK13989	76mm	3 Lever	Brass Plated Forend
MAK13996	76mm	4 Lever	Brass Plated Forend



MORTICE LOCK ONLY INSERTS - PREMIUM (SABS)

- Designed and produced to meet the SABS Standards and carry the SABS Certification Mark
- Offer a lose forend which allows the installer to install the locks prior to the finishing of the doors and to return simply to put on the forend thus offering a professional paint free installation
- Supplied with 3 keys which match the Local Y, CD series



Code	Size	Description	Body Finish
MAK05540	76mm	2 Lever	Chrome Plated Forend
MAK05762	76mm	3 Lever	Chrome Plated Forend
MAK05779	76mm	4 Lever	Chrome Plated Forend



CYLINDER MORTICE LOCK - INSERT ONLY WITH CYLINDER

- Designed and produced to meet the SABS Standards and carry the SABS Certification Mark
- Offer a lose forend which allows the installer to install the locks prior to the finishing of the doors and to return simply to put on the forend thus offering a professional paint free installation
- Supplied with 3 matching keys



Code	Forend Finish	Body Finish
MAK14009	Galvanised	Brass Plated



CYLINDER MORTICE LOCK - INSERT ONLY WITH CYLINDER

- Designed and produced to meet the SABS Standards and carry the SABS Certification Mark
- Offer a lose forend which allows the installer to install the locks prior to the finishing of the doors and to return simply to put on the forend thus offering a professional paint free installation
- Supplied with 3 matching keys



Code	Forend Finish	Body Finish
MAK30689	Chrome Plated	Galvanised



STANDARD DOOR HANDLES

- Manufactured to industry standards and are supplied in Light Duty Pressed Plate (Non-SABS)
- Heavy Duty Die Cast Zinc (SABS) or Heavy Duty Aluminium
- Available in Keyhole or Profile Cylinder cut out
- Handles are supplied with the requisite size and amount of fixing screws

Code	Description	Cut Out	Finish
MAK13729	Light Duty Pressed Plate	Keyhole	Brass Plated
MAK05724	Light Duty Pressed Plate	Keyhole	Chrome Plated
MAK19882	Heavy Duty Die Cast Zinc	Keyhole	Chrome Plated
MAK13736	Heavy Duty Aluminium	Keyhole	Satin Anodised
MAK19936	Heavy Duty Aluminium	Profile Cylinder	Satin Anodised



CLASSIC DOOR HANDLES VICTORIAN PATTERN

- Range is manufactured from the highest quality materials to original industry standards and sizes
- With keyhole or profile cylinder cut out
- All handles are supplied complete with spindles and the requisite fastenings

STRAIGHT HANDLES

Code	Description	Cut Out	Finish
MAK18847	Victorian Straight Plate	Profile Cylinder	Solid Brass
MAK11541	Victorian Straight Plate	Keyhole	Solid Brass
MAK23001	Victorian Straight Plate	Profile Cylinder	Satin Chrome
MAK22998	Victorian Straight Plate	Keyhole	Satin Chrome



SCROLL HANDLES

Code	Description	Cut Out	Finish
MAK18823	Victorian Straight Plate	Profile Cylinder	Solid Brass
MAK11534	Victorian Straight Plate	Keyhole	Solid Brass
MAK22981	Victorian Straight Plate	Profile Cylinder	Satin Chrome
MAK22974	Victorian Straight Plate	Keyhole	Satin Chrome



SCROLL HANDLES

Code	Description	Cut Out	Finish
MAK18809	Victorian Gable Plate	Profile Cylinder	Solid Brass
MAK11527	Victorian Gable Plate	Keyhole	Solid Brass
MAK22967	Victorian Gable Plate	Profile Cylinder	Satin Chrome
MAK22950	Victorian Gable Plate	Keyhole	Satin Chrome



Locks



CLASSIC DOOR HANDLES GEORGIAN PATTERN

- Range is manufactured from the highest quality materials to original industry standards and sizes
- With keyhole or profile cylinder cut out
- All handles are supplied complete with spindles and the requisite fastenings

SCROLL HANDLES

Code	Description	Cut Out	Finish
MAK18885	Georgian Gable Plate	Profile Cylinder	Solid Brass
MAK11657	Georgian Gable Plate	Keyhole	Solid Brass
MAK18861	Georgian Straight Plate	Profile Cylinder	Solid Brass
MAK11640	Georgian Straight Plate	Keyhole	Solid Brass



STAINLESS STEEL ARCHITECTURAL DOOR HANDLES

- Door Handles manufactured from Stainless steel
- Supplied with all the required fixings for Standard or Bolt through installations

HANDLE ON BACK PLATE - WITH KEYHOLE

Code	Design	Cut Out	Finish
MAK28532	Juno	Keyhole	Stainless Steel
MAK28549	Diana	Keyhole	Stainless Steel
MAK28556	Venus	Keyhole	Stainless Steel
MAK28563	Isis	Keyhole	Stainless Steel
MAK28570	Vesta	Keyhole	Stainless Steel
MAK28587	Ceres	Keyhole	Stainless Steel



STAINLESS STEEL ARCHITECTURAL DOOR HANDLES

- Door Handles manufactured from Stainless steel
- Supplied with all the required fixings for Standard or Bolt through installations

HANDLE ON ROSE

Code	Design	Finish
MAK28419	Juno	Stainless Steel
MAK28426	Diana	Stainless Steel
MAK28433	Venus	Stainless Steel
MAK28440	Isis	Stainless Steel
MAK28457	Vesta	Stainless Steel
MAK28464	Ceres	Stainless Steel



VICTORIAN BALL MORTICE KNOB

- Range is manufactured from the highest quality and to Original industry Standards and Sizes
- All Handles are supplied complete with Spindles and the requisite fastenings

Code	Finish
MAK11555	Brass
MAK23025	Chrome



VICTORIAN FLAT MORTICE KNOB

- Range is manufactured from the highest quality and to Original industry Standards and Sizes
- All Handles are supplied complete with Spindles and the requisite fastenings

Code	Finish
MAK11558	Brass
MAK23018	Chrome



GEORGIAN MORTICE KNOB

- Range is manufactured from the highest quality and to Original industry Standards and Sizes
- All Handles are supplied complete with Spindles and the requisite fastenings

Code	Finish
MAK11664	Brass





ESCUTCHEONS

- Range is manufactured from the highest quality Solid Brass and to Original industry Standards and Sizes
- With Keyhole or Profile Cylinder cut out
- All Handles are supplied complete with Spindles and the requisite fastenings

Code	Description	Cut Out	Finish
MAK11602	Victorian	Keyhole	Solid Brass
MAK28471	Brushed	Keyhole	Stainless Steel
MAK11701	Georgian	Keyhole	Solid Brass
MAK23032	Victorian	Keyhole	Satin Chrome
MAK28488	Brushed	Profile Cylinder	Stainless Steel



MAK11602



MAK28471



MAK11701



MAK23032



MAK28488



ENTRANCE LOCK

- A complete entrance lock kit
- Bronze or chrome finish
- Supplied with all fittings and fastenings, plus 3 matching keys



Code	Finish
HON3370	Bronze
HON3380	Chrome



ENTRANCE LOCK SETS WITH THUMBTURN & KEY - TULIP TYPE HANDLE

- Manufactured using only quality materials to the Highest Standards
- Carry a 25 year warranty
- Supplied with step by step installation instructions and include an installation template



Code	Backset	Body	Handle Finish
MAK30115	ADJ60-75mm	Steel	Antique Brass



ENTRANCE LOCK SETS WITH THUMBTURN & KEY - TULIP TYPE HANDLE

- Manufactured using only quality materials to the Highest Standards
- Carry a 25 year warranty
- Supplied with step by step installation instructions and include an installation template



Code	Backset	Body	Handle Finish
MAK31006	ADJ60-75mm	Stainless Steel	Stainless Steel



ENTRANCE LOCK SETS WITH THUMBTURN & KEY - TULIP TYPE HANDLE

- Manufactured using only quality materials to the Highest Standards
- Carry a 25 year warranty
- Supplied with step by step installation instructions and include an installation template



Code	Backset	Body	Handle Finish
MAK30108	ADJ60-75mm	Steel	Polished Brass



COMBINATION LOCK SET - DEADLOCK TULIP

- Tulip Knob Style Security Set with Grade 3 Single Cylinder Deadbolt
- Six-way adjustable latch fits all doors
- For exterior locking applications, Entry door



Code	Descr
MAK29027	Brass Plated



COMBINATION LOCK SET - DEADLOCK TULIP

- Tulip Knob Style Security Set with Grade 3 Single Cylinder Deadbolt
- Six-way adjustable latch fits all doors
- For exterior locking applications, Entry door



Code	Descr
MAK29010	Chrome Satin



NIGHT LATCH

- A quality latch lock kit with a durable brass cylinder lock
- Supplied with all fittings and fixings plus 3 matched keys



Code	Finish
HON4040	Painted



NIGHT LATCH - HEAVY DUTY

- Manufactured from Die Cast Zinc to the highest standards
- Supplied with easy to read instructions and templates for ease of installation

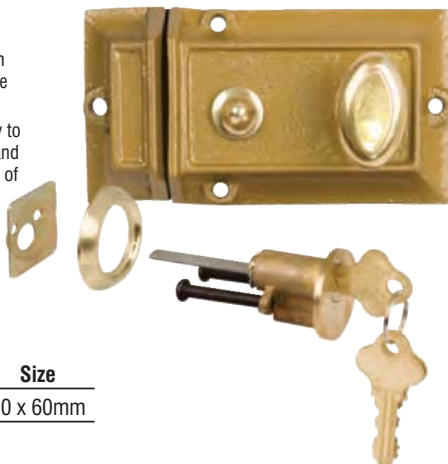


Code	Size
MAK12050	90 x 60mm



NIGHT LATCH - LIGHT DUTY

- Manufactured from pressed steel to the highest standards
- Supplied with easy to read instructions and templates for ease of installation



Code	Size
MAK12036	90 x 60mm



NIGHT LATCH

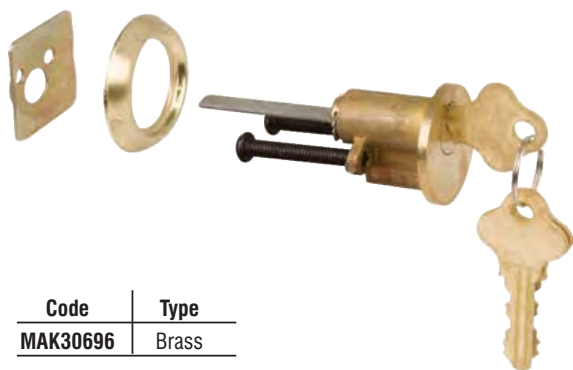
- Economy range night latch
- 3 Keys



Code	Finish
TRC2400	Black



NIGHT LATCH - REPLACEMENT CYLINDER



Code	Type
MAK30696	Brass



SECURITY GATE LOCK - DEAD THROW

- 5 Lever
- 2 Keys
- Complete with all fittings



Code	Finish
HON3365	Yellow Passivated



SECURITY GATE LOCK WITH OPEN BOX

- Manufactured from steel
- 7 Lever
- Supplied with the correct type and size of fastening required for ease of installation



Code	Finish
MAK53640	Chrome Plated



SECURITY GATE LOCK

- Manufactured from steel
- 7 Lever
- Supplied with the correct type and size of fastening required for ease of installation



Code	Finish
MAK52049	Yellow Passivated



SECURITY LOCK BOX - CLOSED

- For fitting dead lock security gate lock
- Closed box



Code	Size (mm)
HWI2460	80 x 64 x 25



SECURITY LOCK BOX - OPEN

- For fitting dead lock security gate lock
- Open type box



Code	Size (mm)
HWI2462	80 x 64 x 25



RIM LOCK - WITH KNOB

- Manufactured from Steel to the highest standards
- Supplied with easy to read instructions and templates for ease of installation
- Supplied with 3 keys



Code	Body Size	Backset	Handle Finish	Body Finish
MAK28525	155 X 105mm	40mm	Brass Plated	Black Powder



RIM LOCK - WITH KNOB

- Manufactured from Steel to the highest standards
- Supplied with easy to read instructions and templates for ease of installation
- Supplied with 3 keys



Code	Body Size	Backset	Handle Finish	Body Finish
MAK16607	155 X 105mm	40mm	Plastic	Black Powder



RIM LOCK - REPLACEMENT KNOB SET



Code	Descr
MAK28518	Brass Plated



CUPBOARD LOCK - 2 LEVER

- Manufactured from steel
- Brass plated



Code	Size
MAK50625	50mm
MAK05618	64mm
MAK06318	75mm



CUPBOARD LOCKS PLASTIC COMPLETE WITH ESCUTCHEON

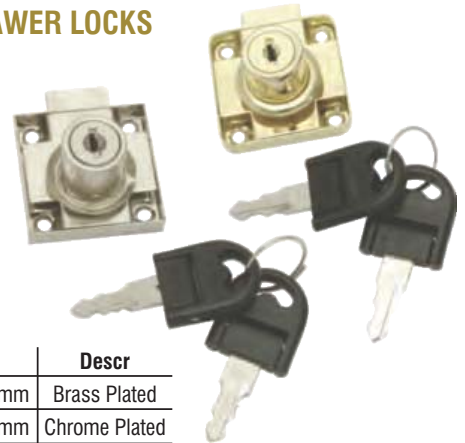


Code	Size
MAK03683	20mm Brown
MAK03676	20mm White
MAK04321	Brown Escutcheon
MAK04338	White Escutcheon



DRAWER LOCKS

- Manufactured from Mazac

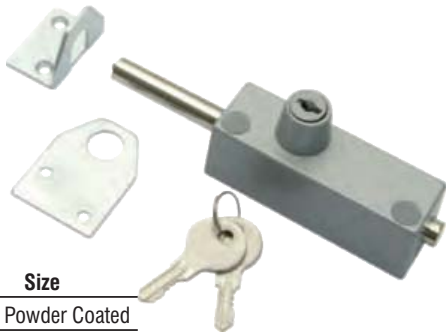


Code	Size	Descr
MAK19264	22 x 19mm	Brass Plated
MAK19271	22 x 19mm	Chrome Plated



PATIO DOOR LOCKS

- Supplied with the correct type and size of fastening required for ease of installation

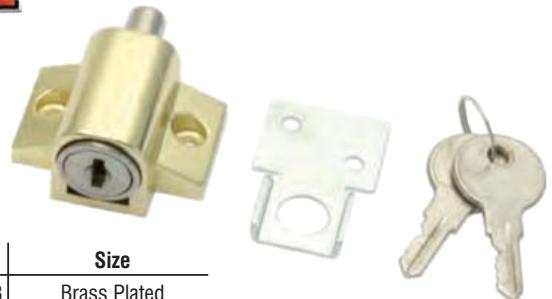


Code	Size
MAK53948	Black Powder Coated
MAK53916	Silver
MAK53923	White



WINDOW PUSH LOCKS

- Supplied with the correct type and size of fastening required for ease of installation



Code	Size
MAK53893	Brass Plated
MAK53886	Chrome Plated
MAK53909	White



HASP LOCKS

- Supplied with the correct type and size of fastening required for ease of installation



Code	Size
MAK53855	64mm/Chrome Plated
MAK53962	74mm/Chrome Plated
MAK53879	100mm/Chrome Plated



CAM LOCKS

- Manufactured from Mazac



Code	Size	Description
MAK03003	25x23mm	Nickel Plated
MAK03010	25x23mm	Brass Plated



PROFILE - CYLINDER ONLY

- Manufactured from Solid Brass for areas of high corrosion
- Supplied with keys



Code	Size
MAK13750	60mm/Chrome Plated
MAK13767	60mm/Solid Brass



KEY FOR PLASTIC CUPBOARD LOCKS LOOSE

- Manufactured from Mazac



Code
MAK04314



KEYHOLE LOCK BLOCKER

- A solid brass lock insert for any standard mortice lock, to prevent lock picking
- Supplied with 2 matched keys



Code
HON3130



KEYHOLE BLOCKER SOLID BRASS

- A solid brass lock insert for any standard mortice lock, to prevent lock picking
- Supplied with 2 matched keys



Code
MAK05557



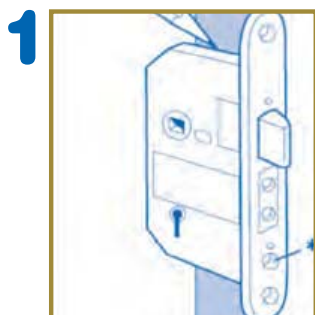
PRODUCT COMPONENTS KEY BLANKS - MA206319

- Solid brass key blanks

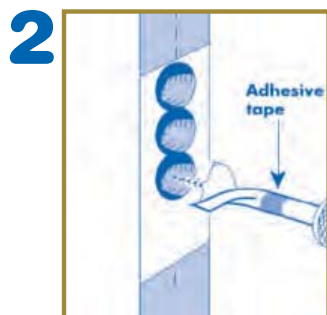


Code	Ref	Blanks for
MAS4000	MA206319	30mm, 40mm locks
MAS4020	MA206320	50mm, 60mm & rectangular locks
MAS4040	MA206321	70mm locks

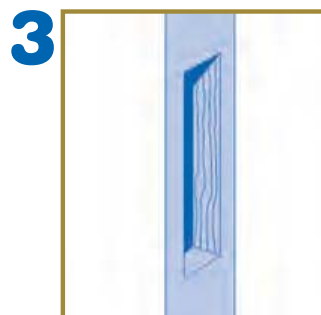
HOW TO FIT A MORTICE LOCK You will need: • Drill and Drill Bits (19mm), • Chisel, • Screwdriver • Pencil



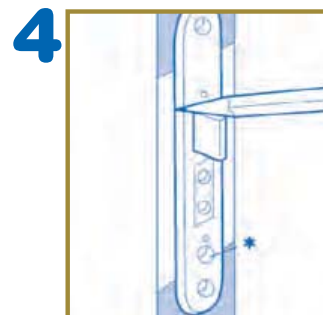
1 Position lock body as near to the mid-height of the door as possible. Place lock body against door edge and mark top and bottom of lock body on door edge, avoiding joints of cross members in the door.



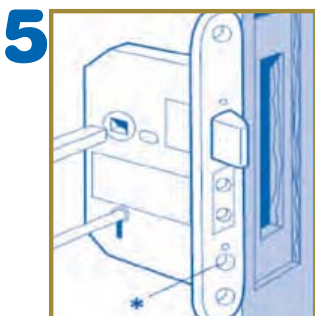
2 Between these two lines mark the central vertical position (dotted line). Along this vertical line drill a series of overlapping holes to the lock depth. In order to drill to the correct depth apply adhesive tape to the drill bit to the measured lock depth (including the forend and face plate).



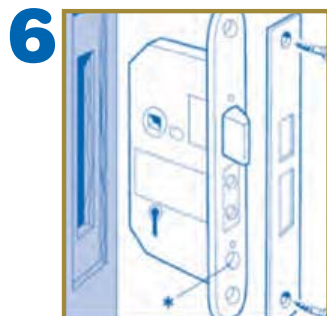
3 With lock body inserted, draw around forend on door edge - remember to add removable faceplate before tracing outline. Remove lock and chisel recess to accommodate lock faceplate. Place lock in door and ensure a good fit with faceplate flush with door edge



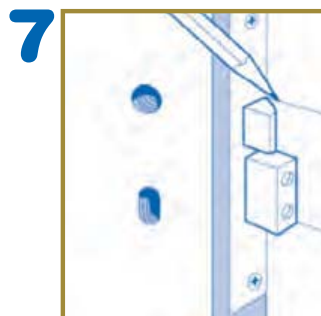
4 With lock held against door face ensuring faceplate is flush with door edge and in line with lock recess, mark position of the key hole (and spindle). Drill and cut holes on both sides of the door for the key



5 With faceplate in position secure lock into door with screws provided. Fit escutcheons and/or door handles with spindle cut to suit. Test for easy working operation.



6 With the door open and the bolt in the locked position, close door gently against door frame. Mark positions of bottom of bolt and top of latch bolt.



7 Hold box striker up to door frame, ensuring the box section is in line with previous markings. Draw around box section of box striker on door frame. Along the vertical line.



8 Drill a series of overlapping holes to the box depth. Hold box striker up to frame and draw around edge of box striker. Remove box striker and chisel out so that box striker sits flush in door frame. Secure the box striker using screws in the central or elongated holes only. Test lock for working operation, and adjust position of box striker if required. When aligned correctly, fit the two remaining screws.